



Winston Battery

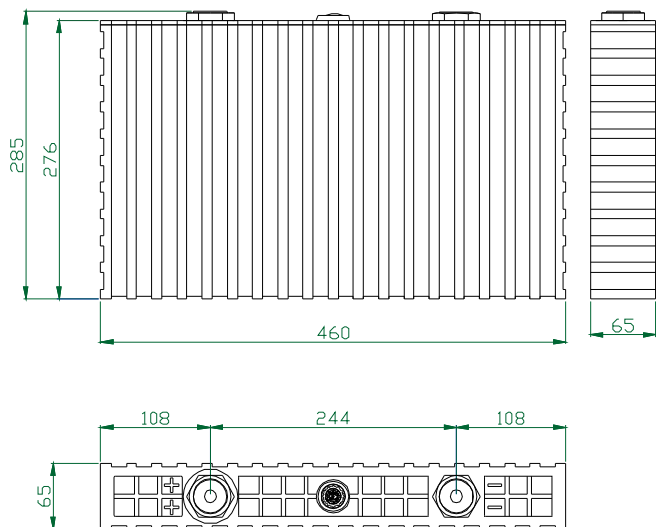
Address: Winston Industrial Park, Third Industrial Zone, Lisonglang Village,
Gongming Town, Shenzhen, Guangdong P.R.C
Tel: +86-755-8602 6789 Fax: +86-755-8602 6678
Http://www.winston-battery.com E-mail: winston@winston-battery.com

溫斯頓牌稀土鋰鈮動力電池性能說明 SPECIFICATION FOR WINSTON RARE EARTH LITHIUM YTTRIUM POWER BATTERY

單體電池尺寸 DIMENSIONS



型号(MODEL): WB-LYP400AHA



技術參數 SPECIFICATIONS

| 型號(MODEL) | WB-LYP400AHA(B) | |
|--|--------------------------|--------------|
| 標稱容量 Nominal Capacity | 400AH | |
| 規格 SPEC | 長 L | 460mm |
| | 寬 W | 65mm |
| | 高 H | 285mm |
| 工作電壓 Operation Voltage | 充電 Charge | 4.0(V) |
| | 放電 Discharge | 2.8(V) |
| 內阻 Internal resistance | ≤0.3(mΩ) | |
| 最大放電電流 Max Discharge Current | 恒電流 Constant Current | ≤3CA |
| | 脈衝試 Impulse Current | ≤10CA |
| 最大充電電流 Max Charge Current | 1200A(3CA) | |
| 標準充放電電流 Standard Charge/ Discharge Current | 200A(0.5CA) | |
| 循環壽命 Cycle Life | (80%DOD) | ≥5000Times |
| | (70%DOD) | ≥7000Times |
| 殼體耐溫性 Temperature Durability Of Case | ≤200°C | |
| 適應環境 Operation Temperature | 充電 Charge | -45°C ~ 85°C |
| | 放電 Discharge | |
| | 存儲濕度 Storage Humidity | ≤75%RH |
| 自放電率(月) Self-discharge Rate | ≤3% (月/Monthly) | |
| 單體電池重量 Weight | 13.5kg ± 250g | |

WB-LYP400AHA型電池的充放電特性

WB-LYP400AHA CHARGE & DISCHARGE CHART

